

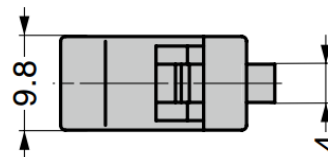
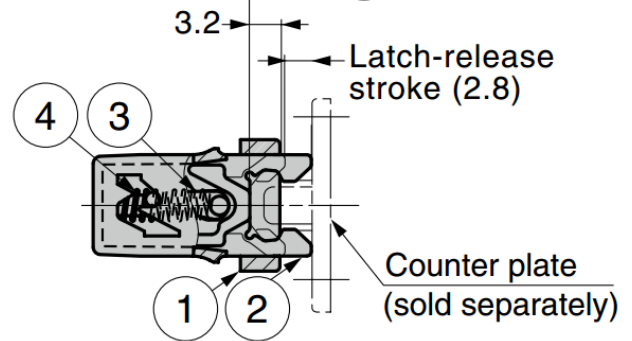
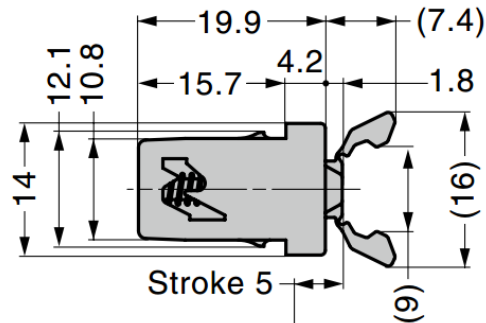
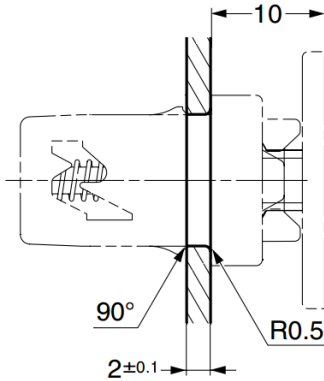
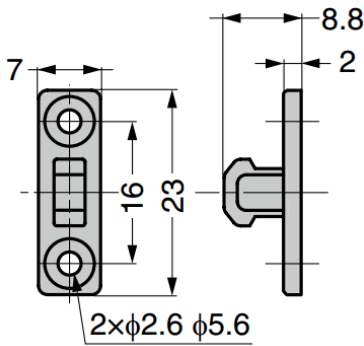
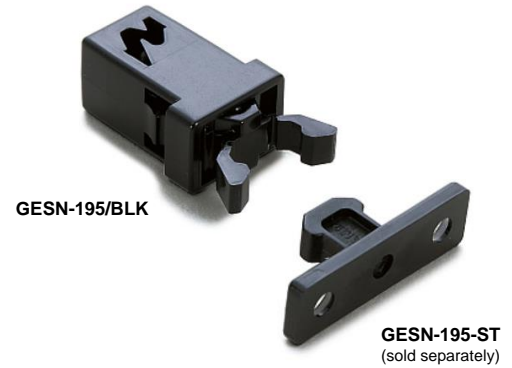
GESN-195 Snap-In Touch Latch

Features

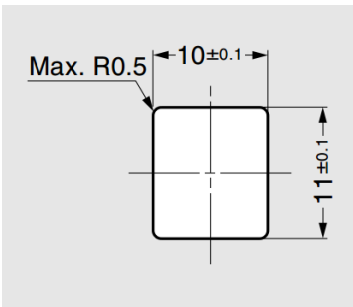
- Compact design with strong retaining force
- Snap-in installation
- No handle required, simply push to open/close
- Lightly push to open the door
- When closing, arm will catch the counter plate **GESN-195-ST** (sold separately) and hold the door with a light push

Recommended Screws

- For counter plate **GESN-195-ST** (sold separately)
 - Countersunk head screw M2.5
 - Countersunk head wood screw nominal 2.4



Hole Cutout



Body

Part No.	Retaining Force	
GESN-195/BLK	34 N	3.5 kg

Counter Plate

Part No.	Material	Colour
GESN-195-ST	POM	Black

No.	Part Name	Material	Colour
①	Body	PBT	Black
②	Catch	PA	
③	Arm	LCP	-
④	Spring	Steel (SUP)	